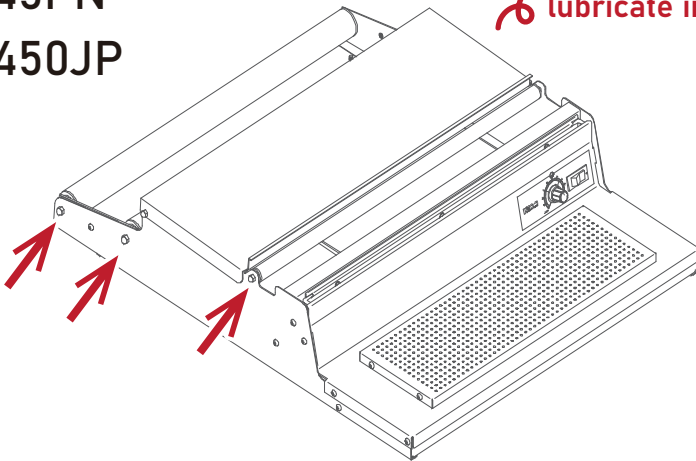


Lubrication point

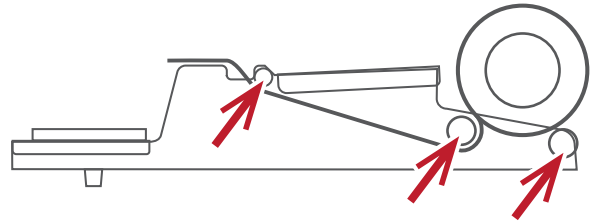
Hand wrapper U-45PN/U-450JP and B-45PN/B-450JP

If the roller makes an unusual noise and it becomes difficult to pull out the film, apply lubricants for food machinery from the edge of the rollers.

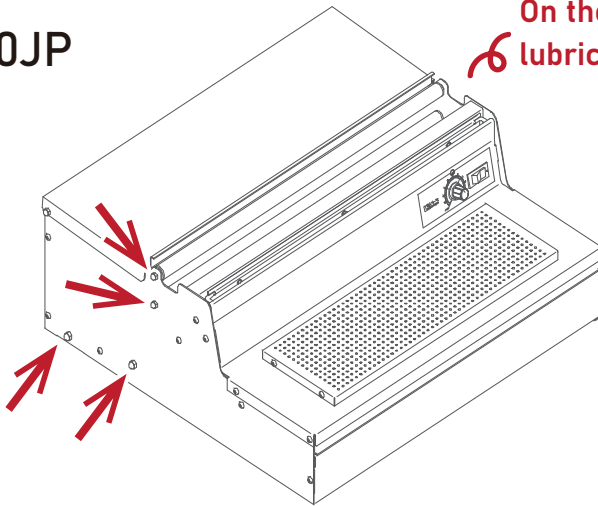
U-45PN
U-450JP



On the right side,
⌚ lubricate in the same position.



B-45PN
B-450JP



On the right side,
⌚ lubricate in the same position.

