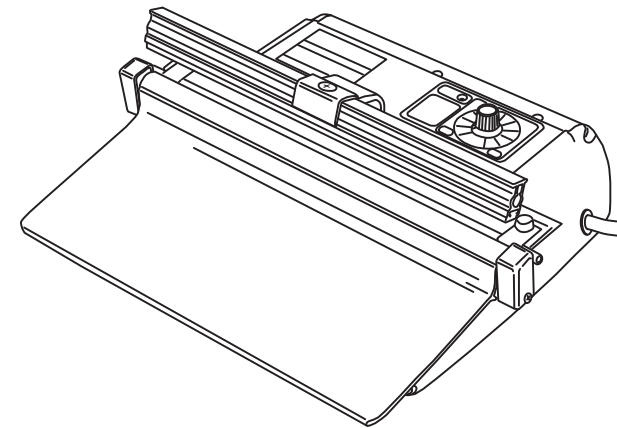


# User's Manual

***AZSEALER***  
**AZ-300S • AZ-300W**



 **Asahi Industry Co., Ltd.**  
1-11-22, YONBAN, ATSUTA-KU, NAGOYA, AICHI, JAPAN  
TEL : 81-52-671-5193 FAX : 81-52-671-5196  
E-mail : [trading@asahi-sg.co.jp](mailto:trading@asahi-sg.co.jp) Website : [www.asahi-sg.co.jp](http://www.asahi-sg.co.jp)

Thank you for purchasing this product.  
 Read this User's Manual before using this product, and  
 make sure to use the product correctly. Misuse may result  
 in malfunction or unexpected accidents or hazards.

## Table of Contents

1. Safety Precautions . . . . .	2
2. Names of Parts . . . . .	3
3. First-time Use . . . . .	4
3-1. Attaching the table . . . . .	4
4. Method of Use . . . . .	6
5. Replacing consumable parts . . . . .	8
5-1. Seal structure . . . . .	8
5-2. Replacement timing for consumable parts . . . . .	9
5-3. Precautions when replacing consumable parts . . . . .	9
5-4. Replacing the Teflon sheet . . . . .	10
5-5. Replacing the heater . . . . .	11
5-6. Replacing the rubber . . . . .	12
6. Malfunctions and Causes . . . . .	13
7. Schematic Drawing . . . . .	15
8. List of Parts . . . . .	16
9. Wiring Diagram . . . . .	17
10. Specifications . . . . .	17

**Warranty**

Warranty period : 12 months

Model No. : AZ-

Manufacturing No. :  
( Serial No.)

Name :  
 Address: :  
 TEL: :  
 Store or purchase :  
  
 Date of purchase :

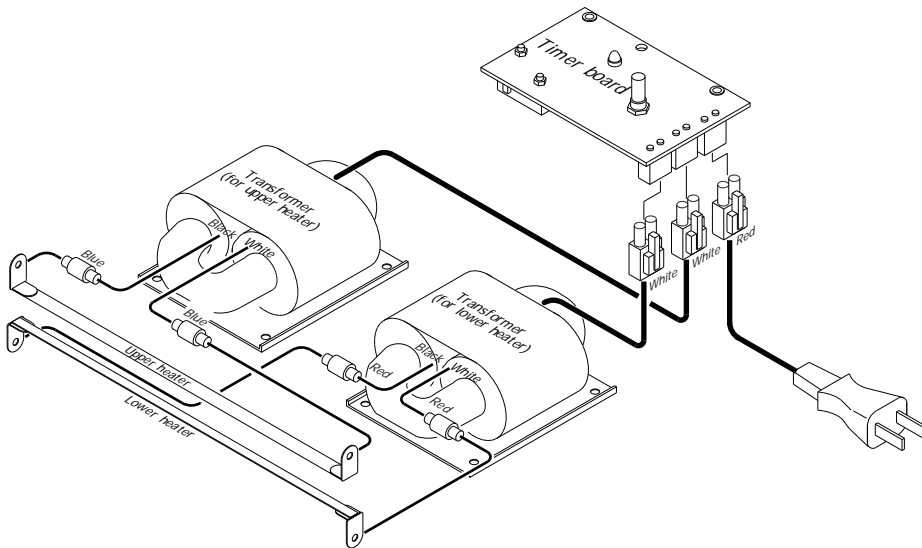
SAMPLE

\*Fill in the required information and keep in a safe place.

## Warranty Provisions

1. We guarantee quality only for use under normal conditions during the warranty period (12 months from date of purchase). If the product malfunctions during the warranty period, we will repair it at no charge using our prescribed methods. Bring the product along with the warranty to the store where you purchased the product.
2. In the following cases, we will charge a fee for repair even during the warranty period.
  - (1) If no warranty is shown
  - (2) If the required information is not filled in or is rewritten
  - (3) If the malfunction was caused by misuse
  - (4) If the malfunction was caused by impact during shipment or movement by the customer
  - (5) Malfunction and damage caused by nature, pollution, abnormal voltage, or other outside factor
3. If it is determined that the customer independently altered or repaired the product, it will not be accepted for repair during the warranty period.
4. Repairs and replacements of supplies (silicone glass cloths, heater) that are consumed or deteriorate will incur a charge even during the warranty period.
5. The company will not be liable for direct or indirect damage caused by malfunction or use of the product.
6. Expenses for sending or bringing a product for repair are the responsibility of the customer.
7. Keep the warranty in a safe place. Warranties will not be reissued.
8. The warranty is valid only in Japan.

## 9 Wiring Diagram



\* 300S is not equipped with a transformer (for the upper heater) or upper heater.

## 10 Specifications

Model name	Seal length	Seal width	Voltage	Power	Weight	External dimensions
300S	300mm	5mm	120V/240V	580W	3.8Kg	340(W)X300(D)X170(H)
300W	300mm	8mm	120V/240V	1100W	4.5Kg	340(W)X300(D)X170(H)

## 1- Safety Precautions

▼ Items shown here are categorized as ⚠ Danger, ⚠ Warning, or ⚠ Caution.

**⚠ Danger** This indicates that there is an imminent hazard and that death or serious injury may result if this label is not heeded and the product is used improperly.

**⚠ Warning** This indicates death or serious injury may result if this label is not heeded and the product is used improperly.

**⚠ Caution** This indicates that injury or property damage may result if this label is not heeded and the product is used improperly.

Even items categorized as ⚠ Caution may lead to serious results depending on the circumstances. Important information about safety is written in all cases and must be observed without fail.

**⚠ Danger**

**- Use only genuine parts.**

Use genuine parts appropriate for the model. Using parts for a different model may cause malfunction or fire.

**⚠ Warning**

**- Use a proper electrical outlet.**

Thin extension cords and overloaded outlets may cause a fire. Plug into a proper outlet.

**- Do not get the product wet.**

Do not wash the unit or use liquid packaging. This may cause electric shock or malfunction. It is also dangerous to use this product in a wet environment.

**- Unplug the electrical cord when replacing parts.**

The cord may inadvertently conduct electricity and cause burns or electric shock.

**⚠ Caution**

**- Do not touch hot part**

After prolonged use and immediately after sealing, the heater remains hot even though it is not conducting electricity, so there is a risk of burns.

**- Unplug the cord during long-term non-use**

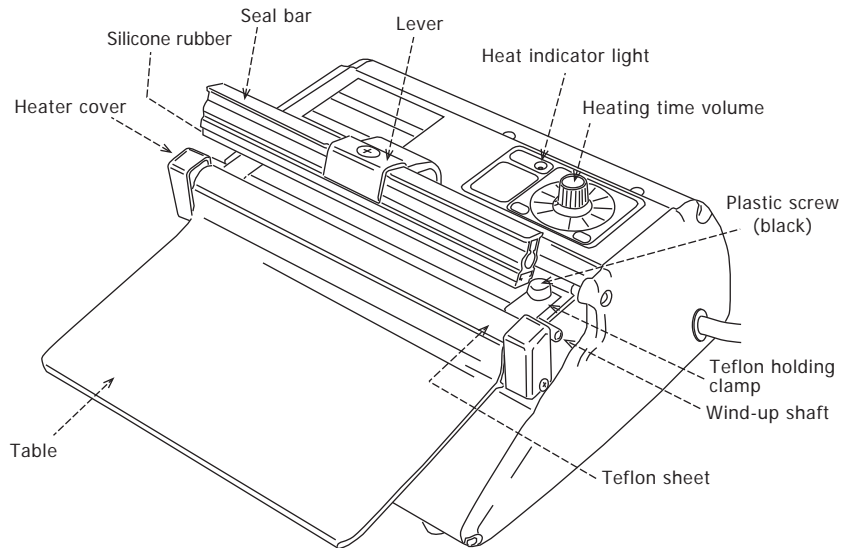
The cord may inadvertently continue to conduct electricity and cause burns or electric shock.

**- Do not alter**

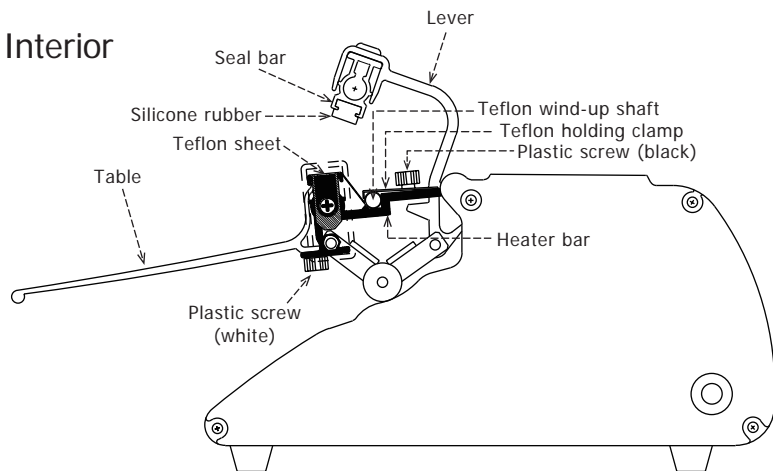
Using unauthorized parts or performing unusual tasks may cause burns or electric shock.

## 2 - Names of Parts

### - Exterior



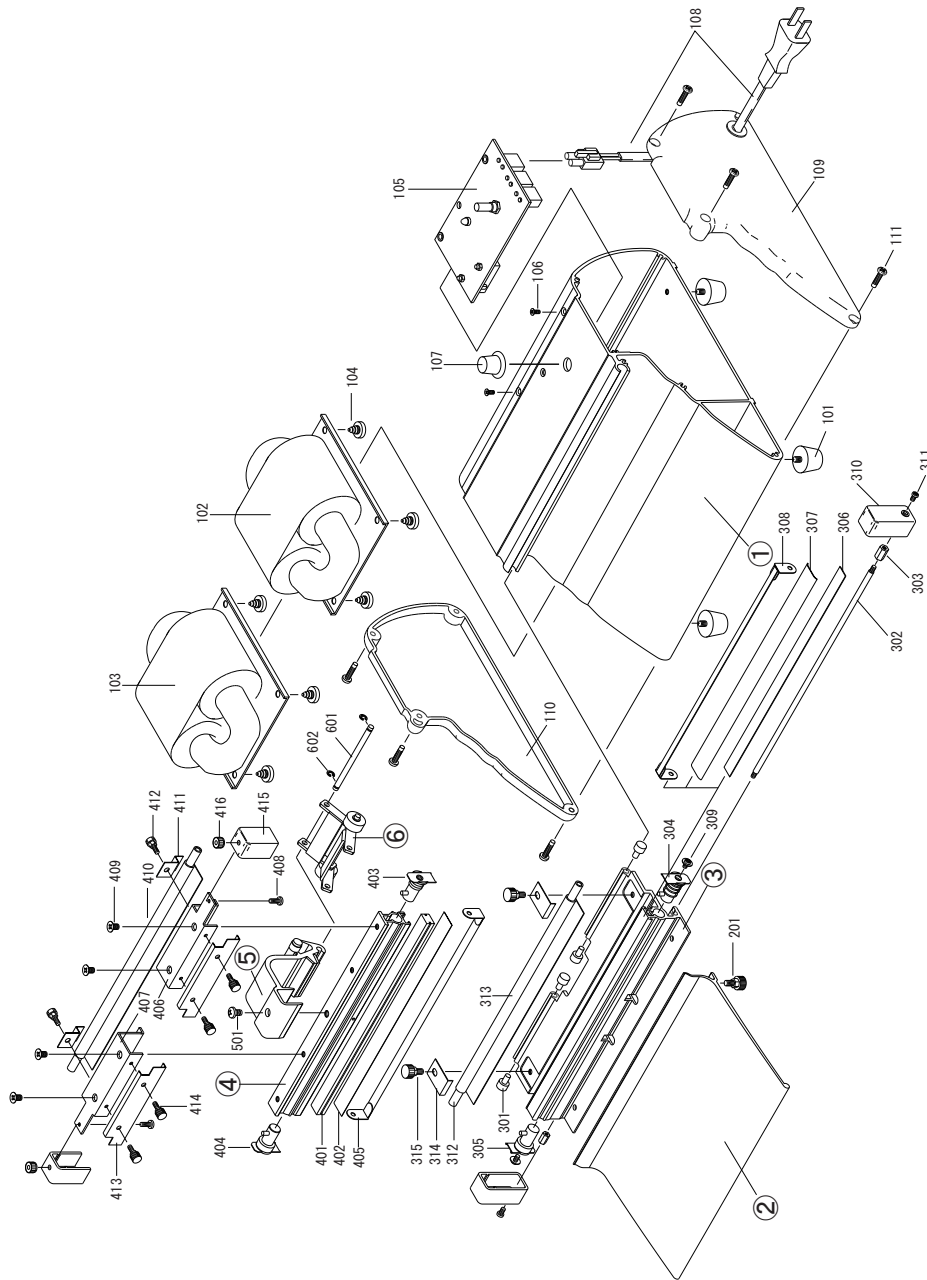
### - Interior



## 8 List of Parts

No.	Part Name	Product Number			Qty.
		Shared	300S	300W	
①	Main unit frame	A100			1
101	Rubber legs	A101			4
102	Transformer (for lower heater)		A102-3S	A102-3WD	1
103	Transformer (for upper heater)			A103-3WU	1
104	Transformer screws (tapping)	A104			4/8
105	Timer board ASSY		A105S	A105W	1
106	Timer screws (oval head)	A106			2
107	Timer knob	A107			1
108	Electric cord ASSY	A108			1
109	Frame cover, right	A109			1
110	Frame cover, left	A110			1
111	Frame cover screws	A111			8
②	Table		A200-3	A200-3	1
201	Table screws (plastic head, white)	A201			2
③	Heater bar		A300-3	A300-3	1
301	Hinge pins	A301			4
302	Heater bar shaft	A302			1
303	Hexagon studs	A303			2
304	Heater holder, right	A304			1
305	Heater holder, left	A305			1
306	Silicone rubber		A306-3	A306-3	1
307	Teflon tape		A307-3	A307-3	1
308	Heater, 5mm		A308-35		1
	Heater, 8mm			A308-38	2
309	Heater screws (3-part SEMS)	A309			2
310	Heater covers	A310			2
311	Heater cover screws (bind)	A311			2
312	Teflon wind-up shaft		A312-3	A312-3	1
313	Teflon sheet	A313			1
314	Teflon clamp	A314			2
315	Teflon screws (plastic head, black)	A315			2
④	Seal bar		A400-3S	A400-3W	1
401	Silicone rubber		A401-3	A401-3	1
402	Teflon tape			A402-3W	1
403	Heater holder, upper right			A403W	1
404	Heater holder, upper left			A404W	1
405	Heater, 8mm			A308-38	1
406	Seal bar clamp, right			A406-3W	1
407	Seal bar clamp, left			A407-2W	1
408	Heater cover, upper screws (pan head)			A408W	2
409	Seal bar clamp screws (oval head)			A409W	4
410	Teflon sheet			A313	1
411	Teflon clamps, upper			A411W	2
412	Teflon screws, upper (plastic head)			A412W	2
413	Teflon holding clamps			A413-3W	2
414	Teflon holding screws (knurled)			A414W	4
415	Heater cover, upper			A415W	2
416	Heater cover nuts (knurled nut M3)			A416W	2
⑤	Lever ASSY		A500S	A500W	1
501	Seal bar screws (stainless truss)	A501			1
⑥	Link ASSY	A600			1
601	Lins shaft	A601			1
602	E-rings	A602			2

## 7 Schematic Drawing

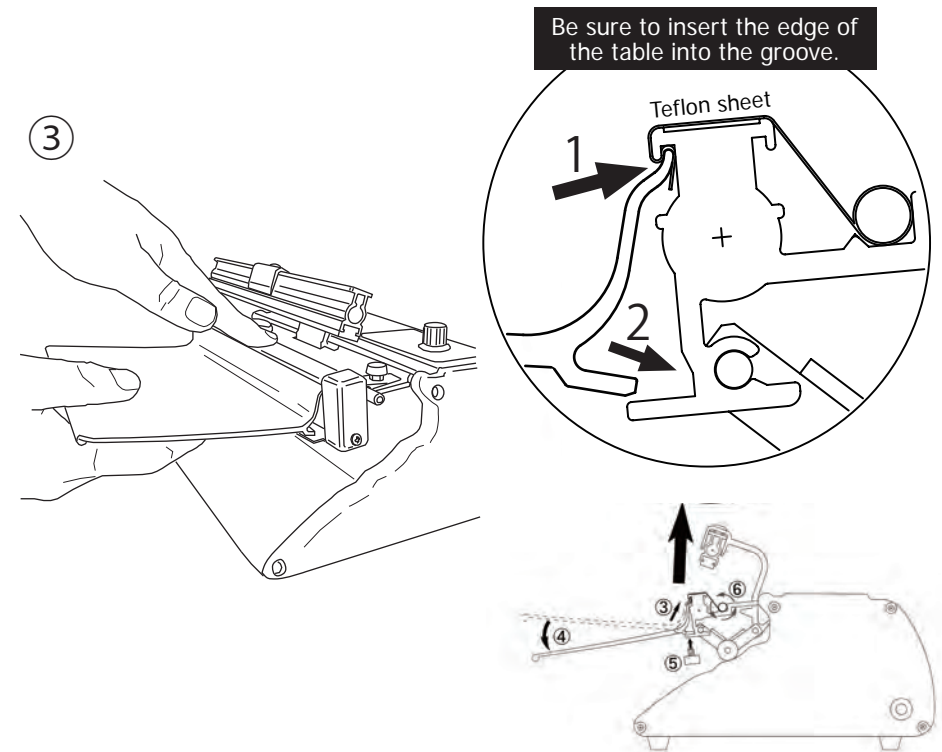


## 3 - First-Time Use

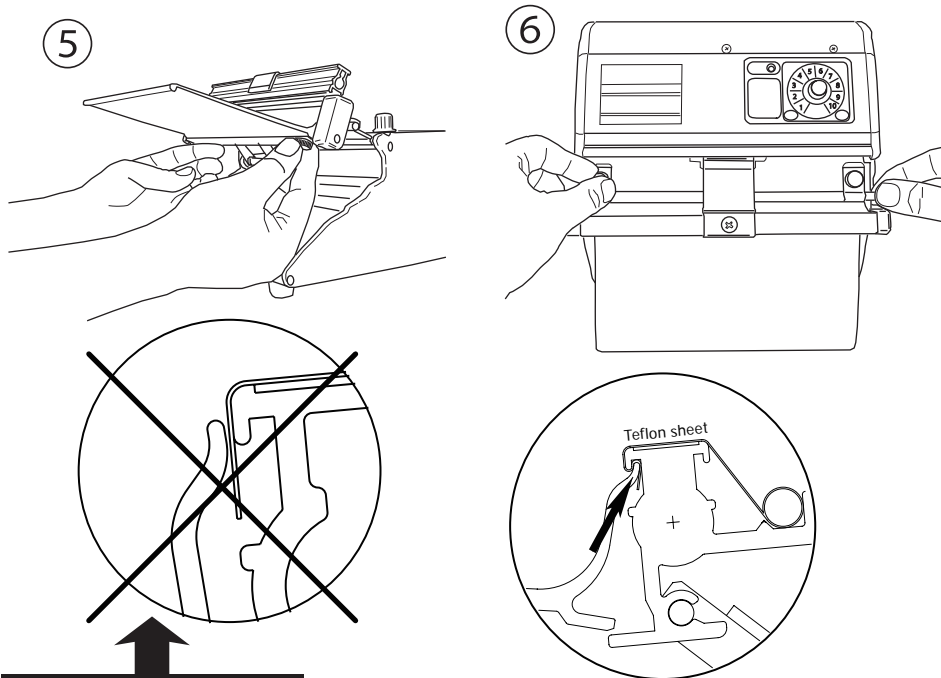
### Attaching the Table

The product is packaged with the table removed. Attach the table as follows after opening the package.

- ① Remove the plastic screws (white) on the back of the table.
- ② Remove the protective paper on the front of the heater bar.
- ③ Insert the table into the groove.  
Insert it from above the Teflon sheet.



- ④ Carefully lower the front of the table and check that the table does not come off.
- ⑤ Stabilize with two plastic screws (white). Holding up the bottom of the heater bar makes it easier to see the screw holes.
- ⑥ Rewind the Teflon sheet to take up the slack in the tape. After slightly loosening the plastic screws (black) on the Teflon holding clamp, turn the Teflon wind-up shaft and take up the slack in the sheet while tightening the plastic screws (black).



**Prohibited**  
Using screws to stabilize the table without inserting the edge of the table into the groove will cause the table to break during use. Be sure to insert the edge of the table into the groove.

**Warning** Procedures labeled with this mark must be performed by someone knowledgeable about electricity.

Check	Procedure
Other electrical equipment plugged into the same outlet does not work.	Check breaker, outlet, etc.
First time using this product.	Press down on the table a little harder
Electricity does not flow through the electrical cord. (check by opening the cover on the right side of the main unit)	Replace the electrical cord
None of the above apply.	Replace the timer board
Heater is burned out.	Replace the heater
The screws attaching the heater are loose.	Tighten the screws attaching the heater
	Lower the timer setting
The heater burns out even at the lowest timer setting.	Replace the timer board
	Lower the timer setting
	Press the table until the seal part cools, even after the indicator light goes out.
The Teflon and silicone rubber are burnt.	Refer to "5. Replace consumable parts"
	Raise the timer setting

## 6 Malfunctions and Causes

Checkpoint Problem		Outlet	Electrical cord	Timer	Heater	Timer adjustment	Teflon sheet	Silicone rubber	Control	Cause
Cannot seal even when the table is pressed down		●								There is no electrical flowing through the outlet
									●	The table is not pressed down completely
			●							The electrical cord is broken
				●						Defect in timer board
The indicator light is on, but the heater does not heat up					●					Heater is burned out
					●					Bad connection in heater
The indicator light is constantly on, so the heater burns out						●				The timer is set too high
				●						Defect in timer board
Seals cannot be made neatly	Seals melt					●				Heating time is too long
	Seals shrink and create wrinkles								●	Cooling time is too short
	Seals are not consistent						●	●		Deterioration of consumable parts
	Seals are weak					●				Heating time is too short

## 4 - Method of Use

Pressing down the table after placing a bag in the sealer will send an electrical current through the heater and make it possible to seal. For a neat and secure seal, use the following method.

- ① Set the heating time based on the material, thickness, etc. of the bag. Increasing the volume lengthens the heating time. Unnecessarily long heating times will wear out the Teflon sheet and silicone rubber more quickly and cause bad seals, so adjust the heating time to the minimum necessary.



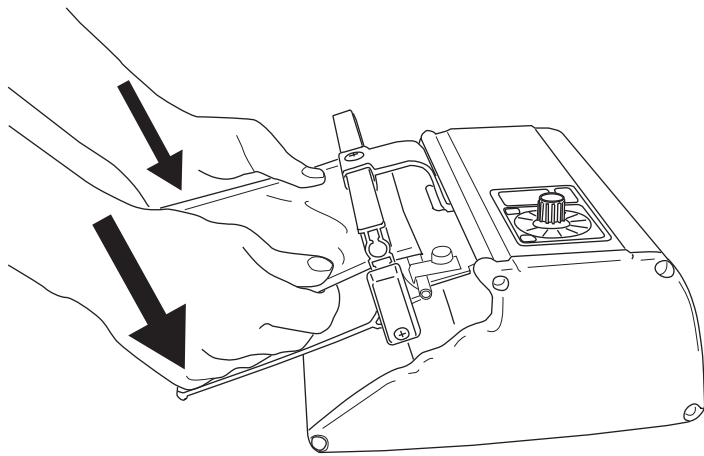
- ② Place a bag in the sealer. Place the open side of the bag on the top part of the heater while pulling the sides of the bag with both hands to the left and right.





③ Press down the table.

After setting the bag with both hands, lightly press down the table so that the upper seal bar comes down and holds the bag. The heat indicator light will blink and heat up for the time set on the timer. During the sealing process, press the table just enough to keep it down. Pressing it too hard will cause it to break.



④ Cool the seal.

Continue holding down the table for 1-2 seconds after heating is finished in order to cool down the seal.

Letting go immediately will cause the welded seal to stretch out and make the film thin, thus weakening the seal.

⑤ Raise the table and finish sealing.

Letting go of the pressure on the table will raise the seal bar, completely the seal process.

⑥ Readjusting the heating time

Continuously sealing will gradually raise the seal temperature and cause over-welding, which will wear out seals and parts more quickly.

Readjust the heating time so that it is shorter than the initial time.

### 5 - 6 Replacing the Rubber



● Removing the rubber

- ① Remove the heater. (See 5-5. Replacing the Heater")
- ② Remove the rubber.
- ③ Leave adhesive tape remaining below as is. (If it seems burnt and deteriorated, carefully remove and replace with thin double-sided tape.)



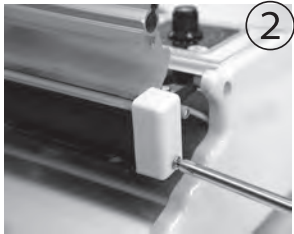
● Installing the rubber

- ① Lightly press on the rubber with the index finger and stick it on straight from one end to the other.
- ② Press and stick the overhanging front and back of the Teflon tape onto the rubber.
- ③ Install the heater. (See 5-5. Replacing the Heater.")
- ④ Cover the heater with the Teflon sheet and attach the table. (See "3-2. Attaching the Table.")



# 5. Replacing Consumable Parts

## 5 - 5 Replacing the Heater

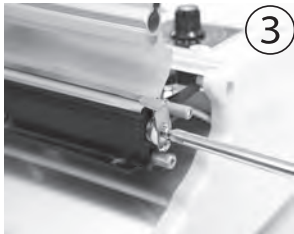


②

### ● Removing the heater

① Remove the table and peel off the Teflon sheet.

② Remove the screws on the right and left side of the heater cover, and take off the cover.



③

③ The heater can be removed after unscrewing the right and left heater screws.



②

### ● Installing the heater

① Loosely fasten the heater to the left electrode using a screw.

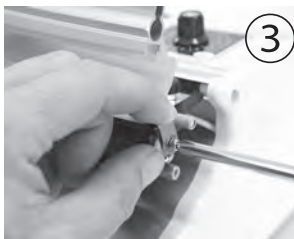
② Press down the right electrode, and while pulling the heater to the electrode, fasten it with a screw.

③ Tighten the left screw. (Over-tightening the screw may cause breakage. Tighten the screw moderately.)

④ Make sure the heater is not twisted or wrinkled.

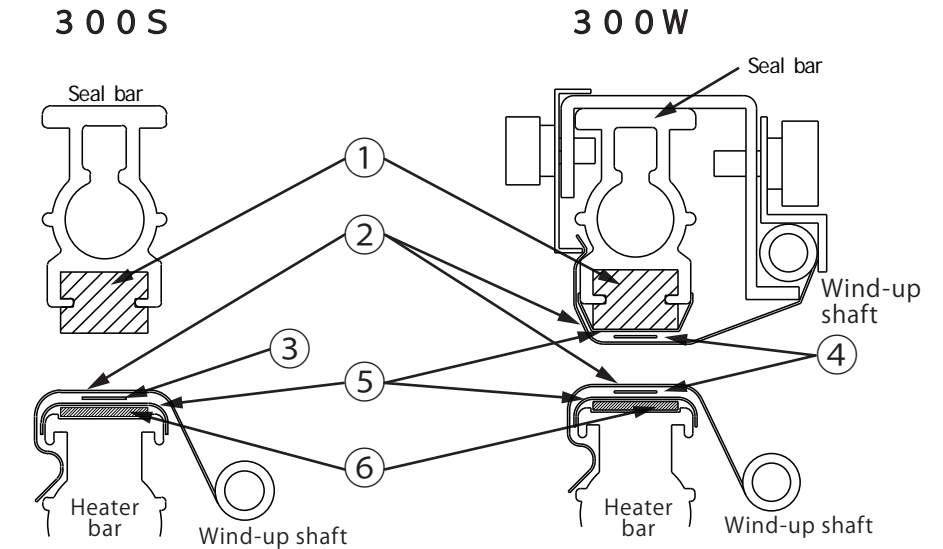
⑤ Fasten the heater cover on the left and right with screws.

⑥ Attach the table. (See "3.2 Attaching the Table.")



③

## 5-1 Structure of Sealing Part



No.	Parts
①	Silicone rubber
②	Teflon sheet
③	Heater (5mm)
④	Heater (8mm)
⑤	Teflon tape
⑥	Silicone rubber

Some of the parts of this heat sealer gradually wear out with use. Replace parts by referring to "5-2 Replacement Timing for Consumable Parts." Replace parts only after fully understanding the structure of the sealing part. Errors made in replacement may lead to defective seals or fire.

Consumables may be ordered using the following names of parts.

### 5-2 Replacement Timing for Consumable Parts

Use the following as a guide for the replacement timing of consumable parts.

- Teflon sheet

Replace when it is burnt and the surface is rough. (Seals are weak)

\*Extra Teflon sheet length is rolled onto the wind-up shaft. Unroll and use as needed. No replacement is necessary until all of the sheet is used up.'

- Heater

Replace when the heater burns out. (Sealing is completely impossible)

- Rubber

Replace when it is burnt and the surface is rough, and/or when the Teflon sheet is completely used up.

\*The rubber is covered by the Teflon sheet, so it normally is not visible. Check the condition of the rubber when replacing the Teflon sheet.

- Silicone rubber

Replace when it is burnt and the surface is rough. (Seals are not neat)

### 5-3 Precautions when Replacing Consumable Parts

Before replacing parts, be sure to unplug the electrical cord from the outlet.

Unnecessary replacements may cause the machine to run differently.

Replace consumable parts at the proper time.

### 5-4 Replacing the Teflon Sheet



① Remove the table.

Loosen the plastic screws (white) on the bottom of the table, and remove the table from the heater bar.

② Loosen the plastic screws (black) on the Teflon holding clamp.

Loosen just enough to pull out the Teflon sheet.

③ Pull out the Teflon sheet toward the front.

Pull it out just enough (2-3cm) so that the burnt part of the sheet does not touch the heater.

④ Use scissors to cut off the part of the Teflon sheet that was pulled out and is no longer needed.

Be careful not to cut off too much so that it can be tucked into the table.

⑤ Attach the table.

See "3-1. Attaching the Table."

Tuck in the edge of the Teflon sheet using the table.

⑥ Take up the slack of the Teflon sheet.

After slightly loosening the plastic screws (black) on the Teflon holding clamp, turn the Teflon wind-up shaft and take up the slack in the sheet while tightening the plastic screws (black).